



Electromechanical Door Solutions

TRIMEC[®]
ASSA ABLOY

The global leader in
door opening solutions

ASSA ABLOY

ASSA ABLOY in brief

ASSA ABLOY is the global leader in door opening solutions, dedicated to satisfying end-user needs for security, safety and convenience. ASSA ABLOY is represented in all major regions, on both mature and emerging markets, with leading positions in Australia and much of Europe and North America. In the rapidly growing electromechanical security sector, the Group has a leading position in fields such as electromechanical products, access control, identification technology, automatic doors and hotel security.

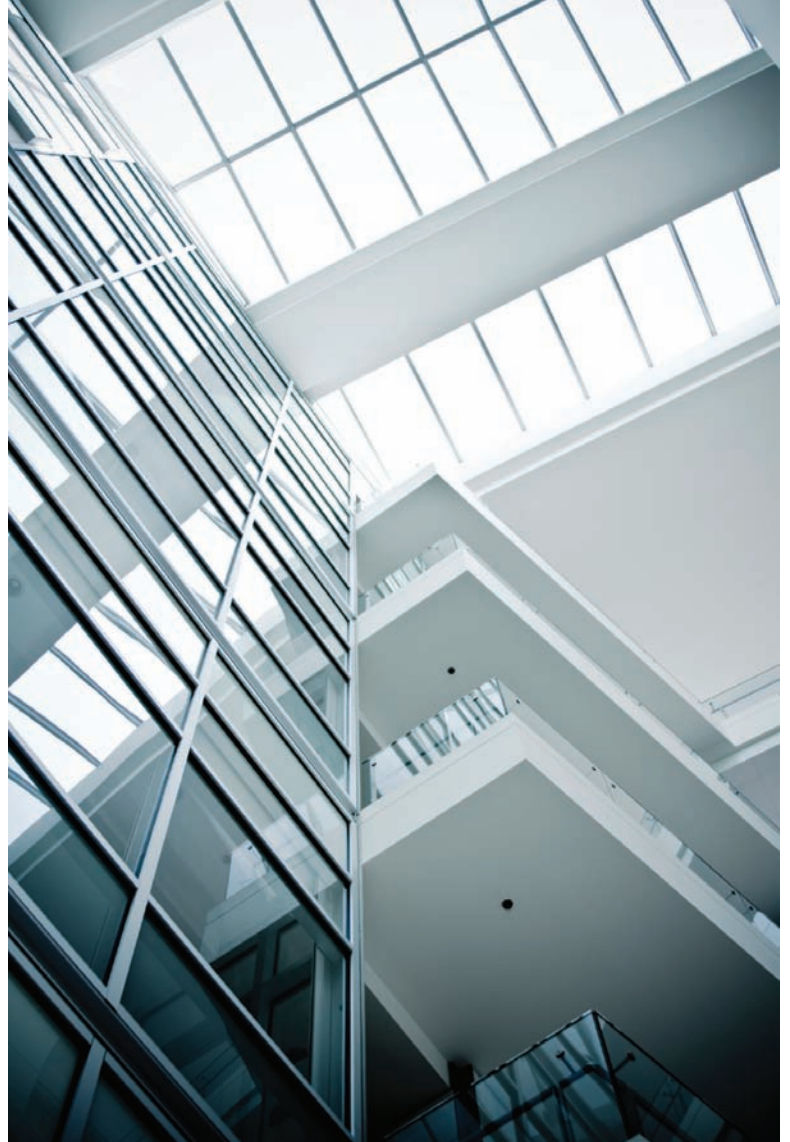
Trimec

Trimec, ASSA ABLOY Australia's leading brand for electronic and electromechanical door security solutions, has an undisputed global reputation as a manufacturer of premium quality, reliable security products due to high precision manufacturing in state of the art facilities in Sydney, continued investments in product innovation and stringent processes for quality control.

Trimec specialises in electric strikes but also boasts an impressive range of patented electromechanical technologies including drop bolts and V locks. Trimec products are tested to very high standards – a testament to the superior quality, reliability and lifecycle cost compared to similar, cheaper models.

In the UK, the Trimec portfolio of products are sold and warranted through Adams Rite alongside fellow ASSA ABLOY Group company brands from its distribution centre in Wolverhampton.

Trimec customers have access to ASSA ABLOY's excellent customer service capability and expertise in the UK underpinned by the TRICARE scheme.



Electric Strikes



EL110 Electric Cabinet Lock	4
ES100 Series Electric Strike	6
ES110 Series Electric Strike	8
ES150 Surface Mounted Electric Strike	12
ES200 Series Non Monitored Electric Strike	14
ES2000 Series Monitored Electric Strike	16
ES2600 Series Monitored Electric Strike	18
ES300 Series Electric Strike	20
ES3000 Series Monitored Electric Strike	22
ES9000 Pre-Load Strike	24

EL110 Electric Cabinet Lock

General Description

The EL110 electric cabinet lock is a compact, cast aluminium lock specially designed for cabinets having either swing or sliding doors. The cabinet lock can be surface mounted either vertically or horizontally and offers maximum flexibility for ease of installation.

EL110 can also be controlled by any existing access control system or simply controlled through a remote keypad or keyswitch. The EL110 is cost efficient, robust, easy to install and suitable for one or multiple cabinet applications.

Key Features

- Fail safe/fail secure changeable on site
- Flexible alignment: has a 5mm XY adjustment after installation
- Low current consumption: uses only 187mA @ 12Vdc
- Available in 12 or 24Vdc
- Self latching in fail secure mode
- Solenoid rated for continuous use
- Australian designed and made
- **TRIGRE** 5 Year Warranty

Applications

- Cabinet locking
- Swing or sliding cabinet doors



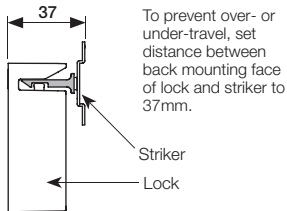
Standards and Compliance



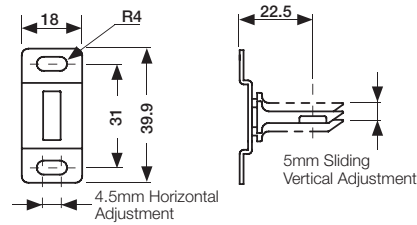
CE Approved

EL110 Electric Cabinet Lock

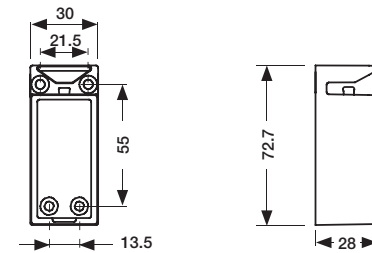
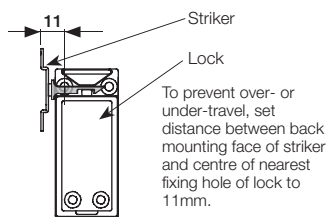
Front Engagement



Lock and Strike Dimensions



Side Engagement



EL110 Technical Information

Voltage	12 or 24Vdc
Current	243 mA @ 12Vdc – 187mA @ 24Vdc
Solenoid	Solenoids are rated for continuous use.
Monitoring	None
Holding Force	680 kg Static Strength Rating
Endurance	Cycle tested to 1,000,000 operations
Environment	Operational temperature range -20°C to + 60°C Weather resistant construction available. (IP56)
Body	Cast Aluminium Construction
Keeper	Stainless Steel

Specification Statement

The strike which is to be surface mounted and constructed of cast aluminium, should be self latching when used in fail secure mode. The lock must be capable of being changed from fail safe to fail secure on site. Lock alignment must be adjustable up to 5mm in both “x” and “y” directions both during and after installation. The lock should consume not greater than 187mA @12Vdc or 87mA @ 24Vdc and have a solenoid rated for continuous use. Electrical certifications must include CE and C –tick.

Ordering Information

Product Description	Part Number
12V Fail Safe Cabinet Lock	111301-000
12V Fail Secure Cabinet Lock	111302-000
24V Fail Safe Cabinet Lock	111303-000
24V Fail Secure Cabinet Lock	111304-000

ES100 Series Electric Strike

General Description

The ES100 is a cost efficient robust electric strike with a solid construction of one-piece cast aluminium body and stainless steel striker. The ES100 offers the same level of security and reliability usually provided by more expensive electric locking solutions.

Extension lips are available to accommodate the installation of electric strikes on door frames with different thickness. The ES100 product range of patented electric strikes are suitable for use with all access control installations where flexibility, security and lower cost are required.

Key Features

- Fail safe/fail secure changeable on site
- Stainless steel striker for extra strength and durability
- Stainless steel locking pins
- Available in 12 or 24Vdc
- Optional mounting kit
- Installation template
- IP56 weather resistant version available
- Suitable For 15mm latch with a 3mm door gap
- Australian designed and made
- **TRICARE** 5 Year Warranty

Applications

- Exposed areas (weather resistant models)
- High traffic areas
- Open in/open out doors
- Suitable for use with all access control systems



Standards and Compliance



Successfully fire rated up to 4hrs on fire door assemblies in accordance with AS1905.1. 2005 (Part 1: Fire resistant door sets)



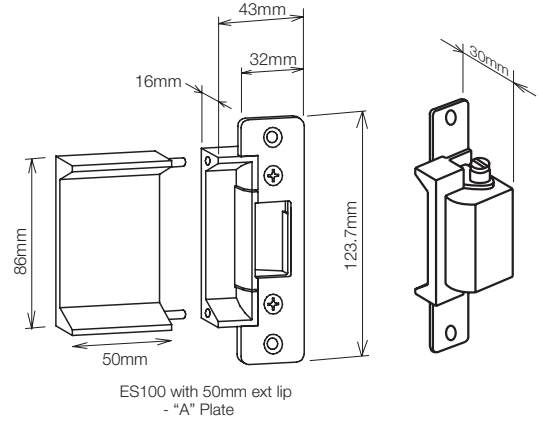
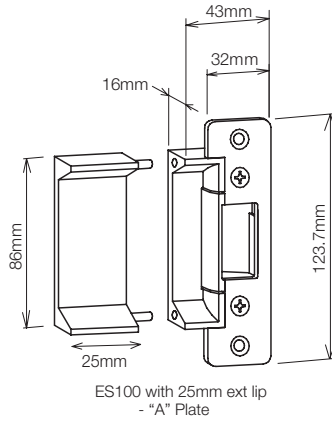
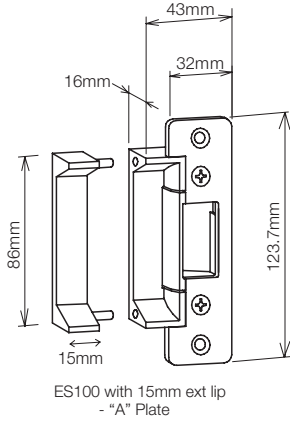
Approved to UL1034 (highest level)



CE Approved

Weather Resistant Version (IP56) available

ES100 Series Electric Strike



ES100 Technical Information

Voltage	12 or 24Vdc
Current	243 mA @ 12Vdc – 187mA @ 24Vdc
Solenoid	Solenoids are rated for continuous use.
Monitoring	None
Holding Force	680 kg Static Strength Rating
Endurance	Cycle tested to 1,000,000 operations
Environment	Operational temperature range -20°C to +60°C Weather resistant construction available. (IP56)
Body	Cast Aluminium Construction
Keeper	Stainless Steel

Ordering Information

Product Description	Part Number
12V Electric Strike	
12V Fail Safe Aluminium Faceplate (A)	110101-010
Note: For additional face plate options see page 10.	

Specification Statement

Where Power to Lock and Power to Open functions may be required in the same building, the strike must be interchangeable from either “Power to Lock” or “Power to Open” on site.

The electric strike should not consume current greater than 243mA @ 12Vdc or 187mA @ 24Vdc and have a solenoid suitable for continuous use. Certifications must include CE, C-tick and 4hr fire rating.

The strike should have a minimum holding force of 680kg, and an endurance rating of 1 million cycles.

Accessories

Product Description	Part Number
Mounting Kit	220200-518
Pins-spring-stopkit (x5)	200110-100

ES110 Series Electric Strike

General Description

The ES110 is a cost efficient robust electric strike with a solid construction of one-piece cast aluminium body and stainless steel striker. Having a deeper than normal strike-keeper area, ES110 is designed to work with an extensive range of locks and offers the same level of security and reliability usually provided by more expensive electric locking solutions.

Extension lips are available to accommodate the installation of electric strikes on door frames with different thickness. The ES110 product range of patented electric strikes are suitable for use with all access control installations where flexibility, security and lower cost are required.

Key Features

- Fail safe/fail secure changeable on site
- Stainless steel striker for extra strength and durability
- Stainless steel locking pins
- Available in 12 or 24Vdc
- Optional mounting kit
- Installation template
- IP56 weather resistant version available
- Suitable For 18mm latch with a 3mm door gap
- Australian designed and made
- **TRICARE** 5 Year Warranty

Applications

- Exposed areas (weather resistant models)
- High traffic areas
- Open in/open out doors
- Suitable for use with all access control systems



Standards and Compliance



Successfully fire rated up to 4hrs on fire door assemblies in accordance with AS1905.1. 2005 (Part 1: Fire resistant door sets)



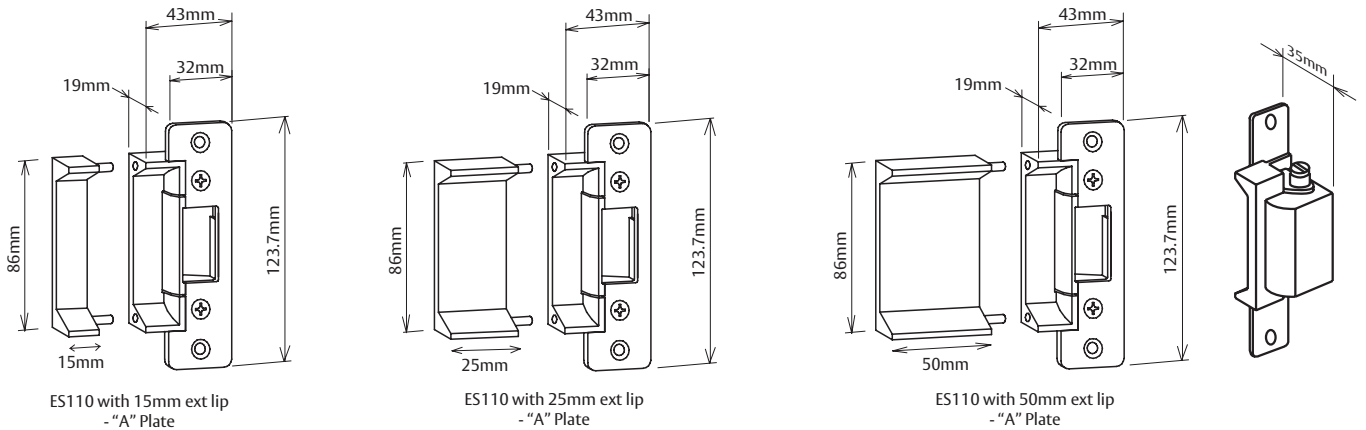
Approved to UL1034 (highest level)



CE Approved

Weather Resistant Version (IP56) available

ES110 Series Electric Strike



ES110 Technical Information

Voltage	12 or 24Vdc
Current	243 mA @ 12Vdc – 187mA @ 24Vdc
Solenoid	Solenoids are rated for continuous use.
Monitoring	None
Holding Force	680 kg Static Strength Rating
Endurance	Cycle tested to 1,000,000 operations
Environment	Operational temperature range -20°C to +60°C Weather resistant construction available. (IP56)
Body	Cast Aluminium Construction
Keeper	Stainless Steel

Ordering Information

Product Description	Part Number
12V Electric Strike	
12V Fail Safe Stainless Steel Face Plate (A)	110111-050
12V Fail Safe Weather Resistant Stainless Steel Face Plate (A)	110111-060
12V Fail Safe Long Stainless Steel Face plate (B)	110111-100
12V Fail Safe Weather Resistant Long Stainless Steel Faceplate (B)	110111-110
12V Fail Safe Adams Rite Faceplate Stainless Steel	110111-140
12V Fail Safe Weather Resistant Adams Rite Faceplate Stainless Steel	110111-160
12V Fail Safe Adams Rite Faceplate Stainless Steel - No Lip	110111-150
12V Fail Safe Stainless Steel Faceplate - No Lip	110111-190
12V Fail Secure Adams Rite Faceplate Stainless Steel	110112-140
12V Fail Secure Weather Resistant Adams Rite Faceplate Stainless Steel	110112-160
12V Fail Secure Long Stainless Steel Faceplate (B)	110112-100
12V Fail Secure Stainless Steel Faceplate - No Lip	110112-190
12V Fail Secure Stainless Steel Faceplate (A)	110112-050
12V Fail Secure Weather Resistant Stainless Steel Faceplate (A)	110112-060
24V Electric Strike	
24V Fail Safe Stainless Steel Faceplate (A)	110113-050
24V Fail Safe Adams Rite Faceplate Stainless Steel	110113-140
24V Fail Safe Adams Rite Faceplate Stainless Steel - No Lip	110113-150
24V Fail Safe Weather Resistant Stainless Steel Faceplate	110113-060
24V Fail Safe Adams Rite Faceplate Stainless Steel	110113-160
24V Fail Safe Long Stainless Steel Faceplate (B)	110113-100
24V Fail Safe Weather Resistant Long Stainless Steel Faceplate (B)	110113-105
24V Fail Secure Stainless Steel Faceplate (A)	110114-050
24V Fail Secure Weather Resistant Adams Rite Faceplate Stainless Steel	110114-140

Note: For additional face plate options see page 10.

Specification Statement

Where Power to Lock and Power to Open functions may be required in the same building, the strike must be interchangeable from either “Power to Lock” or “Power to Open” on site.

The electric strike should not consume current greater than 243mA @ 12Vdc or 187mA @ 24Vdc and have a solenoid suitable for continuous use. Certifications must include CE, C-tick and 4hr fire rating.

The strike should have a minimum holding force of 680kg, and an endurance rating of 1 million cycles.

Accessories

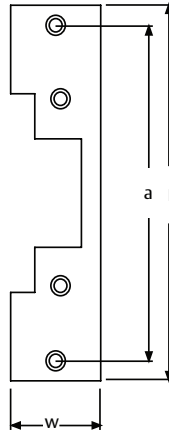
Product Description	Part Number
15mm Extension Lip	220110-502
25mm Extension Lip	220110-503
50mm Extension Lip	220110-504
Mounting Kit	220200-518
Pins-spring-stopkit (x5)	200110-100
24V Solenoid	220100-502

ES100 / ES110 Faceplate Options

Ordering Information

Faceplate Style	l	w	a	Part Number
B (ANSI Long) - SS	201.6	36.3	185.7	210100-530
B (ANSI Long) - AL	201.6	36.3	185.7	210100-536

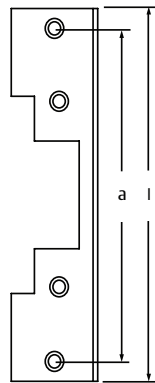
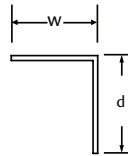
Note: SS - Stainless Steel, AL - Aluminium



Ordering Information

Faceplate Style	l	w	a	Part Number
J - AL	201.6	32	16	210100-523

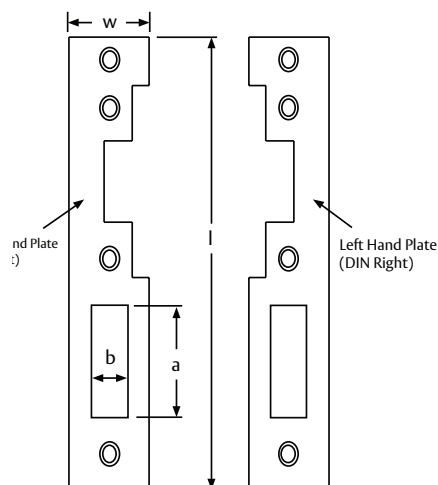
Note: AL - Aluminium



Ordering Information

Faceplate Style	l	w	a	b	Part Number
D (Euro Sash RH) [DIN Left] - SS	209	31.7	60	11.7	210100-538
F (UK Sash RH) [DIN Left] - SS	251	25	74	12	210100-528
G (UK Sash LH) [DIN Right] - SS	251	25	74	12	210100-527
K (Short Sash LH) [DIN Left] - SS	182	32	36.5	14.7	219100-532
L (Short Sash RH) [DIN Right] - SS	182	32	36.5	14.7	219100-534

Note: SS - Stainless Steely



Note: All face plates are sold separately



ES150 Series Surface Mounted Electric Strike

General Description

ES150 is a surface mounted electric strike suitable for use with rim or surface type dead latches. This strike is easy to install and can be simply controlled by a keypad, keyswitch or integrated into any access control system.

ES150 offers high levels of security and features usually provided by more expensive electric locking solutions. The electric strike can be easily installed on steel and wooden door frames. A Weather resistant version is also available for exterior applications..

Key Features

- Fail safe/fail secure changeable on site
- Easy installation suitable for steel and wooden door frames
- Stainless steel striker for extra strength and durability
- Available in 12 or 24Vdc
- Solenoid rated for continuous use
- IP56 weather resistant version available
- Australian designed and made
- **TRIGBARE** 5 Year Warranty

Applications

- Surface or rim mounted applications
- Suitable for use with all access control systems
- Exposed areas (weather resistant model only)

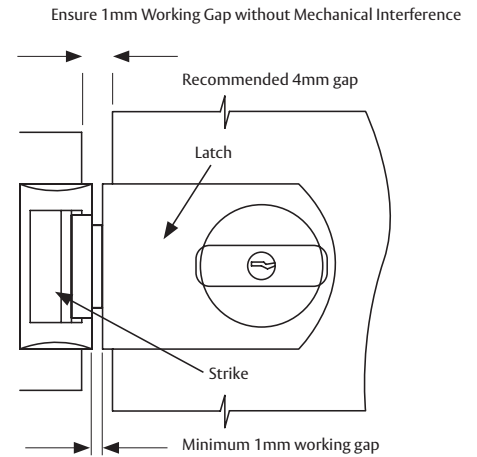
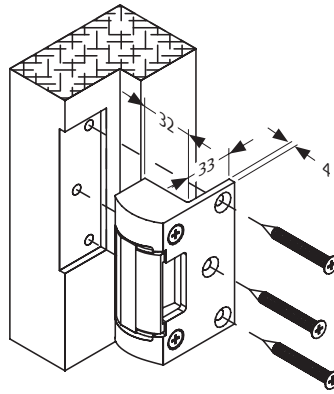
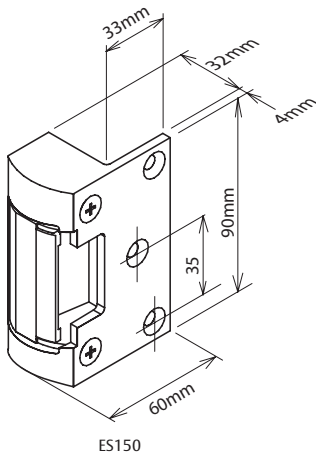


Standards and Compliance



CE Approved

ES150 Series Surface Mounted Electric Strike



ES150 Technical Information

Voltage	12 or 24Vdc
Current	243 mA @ 12Vdc – 187mA @ 24Vdc
Solenoid	Solenoids are rated for continuous use.
Monitoring	None
Holding Force	680 kg Static Strength Rating
Endurance	Cycle tested to 1,000,000 operations
Environment	Operational temperature range -20°C to +60°C Weather resistant construction available. (IP56)
Body	Solid Stainless Steel Construction
Keeper	Stainless Steel

Ordering Information

Product Description	Part Number
12V Fail Safe Surface Rim Strike	110151-000
12V Fail Safe Surface Rim Strike Weather Resistant	110151-010
12V Fail Secure Surface Rim Strike	110152-000
12V Fail Secure Surface Rim Strike Weather Resistant	110152-010
24V Fail Safe Surface Rim Strike	110153-000
24V Fail Secure Surface Rim Strike	110154-000

Specification Statement

The electric strike must be suitable for surface mount applications for use with rim or surface mount door locks.

Where Power To Lock and Power To Open functions may be required in the same building, an individual strike is interchangeable from either “Power to Lock” or “Power to Open” on site.

The electric strike should not consume current greater than 243mA @ 12Vdc or 187mA @ 24Vdc. Certifications must include CE and C-Tick.

The strike should be tested to 1 million operations and have a minimum holding force not less than 680kg.

ES200 Series Electric Strike

General Description

The ES200 series electric strikes are high security products manufactured from solid stainless steel and designed for use with all access control systems. The strikes are suitable for use with hinged doors which require either fire or security control as part of a building management system.

These strikes are flexible and can be changed from fail safe to fail secure, mounted on the left or right hand side of the door and are available in 12 or 24Vdc.

They offer a strong, dependable and long-lasting electric strike solution.

Key Features

- Fail safe/fail secure changeable on site
- High security
- 4 Hour fire rating
- 850kg holding force
- 1 million cycles endurance rating
- Cast stainless steel body
- Stainless steel locking pins
- Low Current consumption - Max 175mA @12Vdc
- Mounting kit supplied as standard
- Australian designed and made
- **TRIGARE** 5 Year Warranty

Applications

- High traffic areas
- Fire rated door sets
- Open in/open out doors
- Suitable for use with all access control systems



Standards and Compliance

S3 (Security) Australian Lock Standard (AS4145.2.1993)

D3 (Durability) Australian Lock Standard (AS4145.2.1993)



Successfully fire rated up to 4hrs on fire door assemblies in accordance with AS1905.1. 2005 (Part 1: Fire resistant door sets)

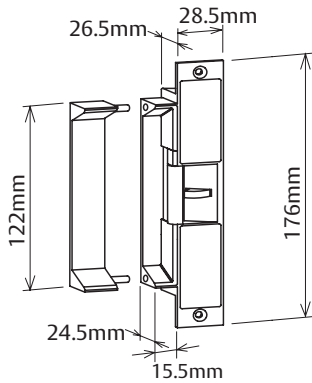


Approved to UL1034 (highest level)

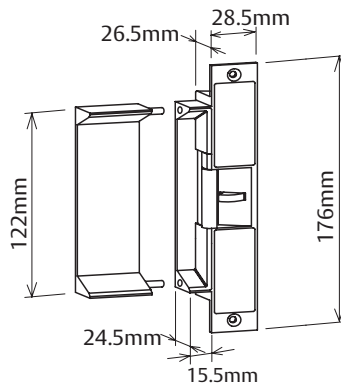


CE Approved

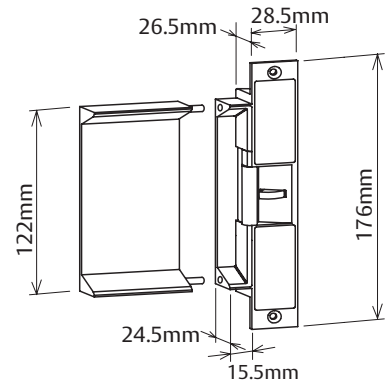
ES200 Series Electric Strike



ES200 with 25mm Extension Lip



ES200 with 50mm Extension Lip



ES200 with 75mm Extension Lip

ES200 Technical Information

Voltage	12 or 24Vdc
Current	175 mA @ 12Vdc - 88 mA @ 24Vdc
Solenoid	Solenoids are rated for continuous use.
Monitoring	None
Holding Force	850kg Static Strength Rating
Endurance	Cycle tested to 1,000,000 operations
Latch	Suitable for 15mm latch bolt with 3mm door gap
Environment	Operational temperature range -20°C to +60°C
Body	Solid Stainless Steel Construction
Keeper	Stainless Steel

Specification Statement

The strike should be constructed of solid stainless steel, have a minimum holding force of 850kg and have an endurance rating of 1 million cycles. The one strike must be changeable from fail safe to fail secure on site where required. The strike should not consume current greater than 175mA at 12Vdc and have a solenoid rated for continuous use. Certifications must include CE, C-Tick and 4 hr fire rating.

Ordering Information

Product Description	Part Number
12V Fail Safe Electric Strike	110201-000
12V Fail Safe Electric Strike with No Extension Lip	110201-010
12V Fail Secure Electric Strike	110202-000
12V Fail Secure Electric Strike with No Extension Lip	110202-010
24V Fail Safe Electric Strike	110203-000
24V Fail Secure Electric Strike with No Extension Lip	110203-010

Accessories

Product Description	Part Number
25mm Extension Lip	220200-505
12V Solenoid	220200-513
Mounting Kit	220200-519

ES2000 Series Monitored Electric Strike

General Description

The ES2000 series electric strikes are fully monitored high security products manufactured from solid stainless steel and designed for use with all access control systems. The strikes are suitable for use with hinged doors which require either fire or security control as part of a building management system.

These strikes are flexible and can be changed from fail safe to fail secure, mounted on the left or right hand side of the door and are available in 12 or 24Vdc.

They offer a strong, dependable and long-lasting electric strike solution with a 850kg holding force and endurance rating of 1 million cycles.

Key Features





- Fully monitored – strike locked and door latched
- Fail safe/fail secure changeable on site
- High security
- 4 Hour fire rating
- 850kg holding force
- 1 million cycles endurance rating
- Cast stainless steel body
- Stainless steel locking pins
- SCEC Endorsed
- Low Current consumption - Max 175ma @12Vdc
- Solenoid rated for continuous use
- Mounting kit supplied as standard
- Australian designed and made
- **TRICARE** 5 Year Warranty

Applications

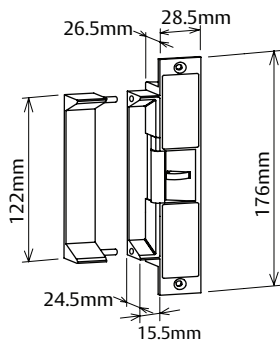
- High traffic areas
- Fire rated door sets
- Open in/open out doors
- Suitable for use with all access control systems



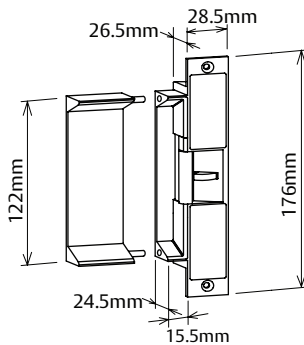
Standards and Compliance

S3	(Security) Australian Lock Standard (AS4145.2.1993)
D3	(Durability) Australian Lock Standard (AS4145.2.1993)
BSI	BS 5872 Approved
	Successfully fire rated up to 4hrs on fire door assemblies in accordance with AS1905.1. 2005 (Part 1: Fire resistant door sets)
	Approved to UL1034 (highest level)
	CE Approved
	C-Tick Certified
	SCEC endorsed for secure areas

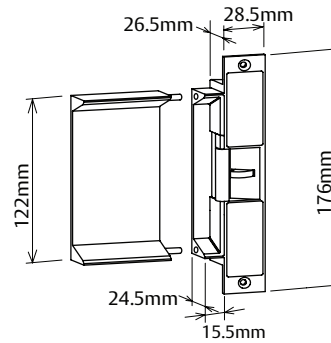
ES2000 Series Monitored Electric Strike



ES2000 with 25mm Extension Lip



ES2000 with 50mm Extension Lip



ES2000 with 75mm Extension Lip

ES2000 Technical Information

Voltage	12 or 24Vdc
Current	175 mA @ 12Vdc - 88 mA @ 24Vdc
Solenoid	Solenoids are rated for continuous use.
Monitoring	Solenoid Monitor - 1 amp NO/NC microswitch Door/Latch Monitor - 1 amp NO/NC microswitch
Holding Force	850kg Static Strength Rating
Endurance	Cycle tested to 1,000,000 operations
Latch	Suitable for 15mm latch bolt with 3mm door gap
Environment	Operational temperature range -20°C to +60°C
Body	Solid Stainless Steel Construction
Keeper	Stainless Steel

Ordering Information

Product Description	Part Number
12V Fail Safe Electric Strike	112001-000
12V Fail Safe Electric Strike with no Extension Lip	112001-010
12V Fail Safe with Extension Lip Holes	112001-060
12V Fail Secure Electric Strike	112002-000
12V Fail Secure Electric Strike with no Extension Lip	112002-010
24V Fail Safe Electric Strike	112003-000
24V Fail Secure Electric Strike	112004-000

Specification Statement

The strike should be constructed of solid stainless steel, have a minimum holding force of 850kg and have an endurance rating of 1 million cycles. Monitoring must include independent door / latch & solenoid monitoring. The one strike must be changeable from fail safe to fail secure on site where required. The strike should not consume current greater than 175mA at 12Vdc and have a solenoid rated for continuous use. Certifications must include CE, C-Tick and 4 hr fire rating.

Accessories

Product Description	Part Number
25mm Extension Lip	220200-505
12V Solenoid	220200-513
Mounting Kit	220200-519

ES2600 Series Monitored Electric Strike

General Description

The ES2600 Series surface mounted electric strikes are high security products manufactured from solid stainless steel and designed to be used with existing and new panic bars fitted to emergency doors.

When used in conjunction with a standard access control system, these strikes convert “Exit only” doors with “Pullman type” latches into a full access controlled door, thereby allowing authorised access from the secure side.

The ES2600 series are fully monitored with both solenoid and latch/door monitoring functions & can be changed from fail safe to fail secure on site.

Key Features

- Fail safe/fail secure changeable on site
- High security
- Available in 12 or 24Vdc
- 650kg holding force
- 1 million cycles endurance rating
- Body depth only 27mm
- Cast stainless steel body
- Low current consumption - max 175Ma @ 12Vdc
- Continuously rated solenoid
- Installation template
- Australian designed and made
- **TRIGRE** 5 Year Warranty

Applications

- For use with panic bars
- Surface mount
- Egress doors
- Fire rated door sets
- Open out door sets
- Suitable for use with all access control systems



Standards and Compliance

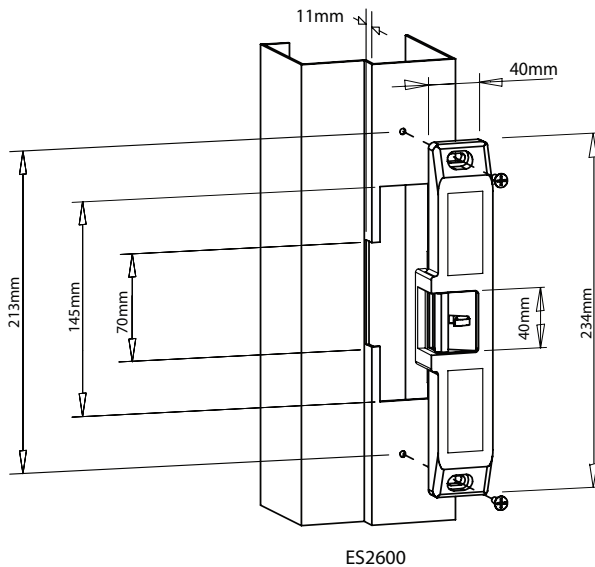


Approved to UL1034 (highest level)



CE Approved

ES2600 Series Monitored Electric Strike



ES2600 Technical Information

Voltage	12 or 24Vdc
Current	175 mA @ 12Vdc - 88 mA @ 24Vdc
Solenoid	Solenoids are rated for continuous use.
Monitoring	Solenoid Monitor - 1 amp NO/NC microswitch Door/Latch Monitor - 1 amp NO/NC microswitch
Holding Force	650kg Static Strength Rating
Endurance	Cycle tested to 1,000,000 operations
Additional	Anti friction roller (patented) Suits panic bars with 15 to 20mm Pullman latch projection
Environment	Operational temperature range -20°C to +60°C
Body	Solid Stainless Steel Construction
Keeper	Stainless Steel

Ordering Information

Product Description	Part Number
12V Fail Safe with Roller Keeper for Panic Bar	112601-000
12V Fail Secure with Roller Keeper for Panic Bar	112602-000

Specification Statement

The strike should be constructed of solid stainless steel, have a minimum holding force of 650kg and have an endurance rating of 1 million cycles. Maximum penetration into the door frame should not exceed 12mm. The one strike must be changeable from fail safe to fail secure on site where required. The strike should not consume current greater than 175mA at 12Vdc and have a solenoid rated for continuous use. Certifications must include CE and C-Tick.

ES300 Series Electric Strike

General Description

The ES300 series electric strikes are designed for high security applications and manufactured from solid stainless steel.

These long ANSI strikes offer a strong dependable and long-lasting electric strike solution and are suitable for use with any access control system.

These strikes are extremely flexible and can be changed from fail safe to fail secure and mounted on the left or right hand side of the door, thus reducing the amount of stock needed to cover each application.

Key Features

- Fail safe/fail secure changeable on site
- Available in 12 or 24Vdc
- 850kg holding force
- 1 million cycles endurance rating
- Stainless Steel locking pins
- Continuously rated solenoid
- Optional mounting kit
- Australian designed and made
- **TRIGARE** 5 Year Warranty

Applications

- Timber or metal doors
- Open in/open out doors
- Suitable for use with all access control systems



Standards and Compliance

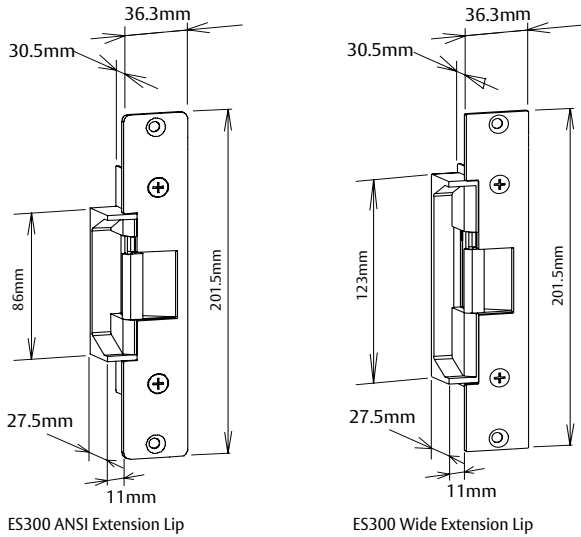


Approved to UL1034 (highest level)



CE Approved

ES300 Series Electric Strike



ES300 Technical Information

Voltage	12 or 24Vdc
Current	175mA @ 12Vdc – 88mA @ 24Vdc
Solenoid	Solenoids rated for continuous use.
Monitoring	None
Holding Force	850kg static strength rating
Endurance	Cycle tested to 1,000,000 operations
Environment	Operational temperature range -20°C to +60°C
Body	Solid Stainless Steel Construction
Keeper	Stainless Steel

Ordering Information

Product Description	Part Number
12V Fail Safe Large Stainless Steel Faceplate - ANSI Ext Lip	110311-000
12V Fail Secure Large Stainless Steel Faceplate - ANSI Ext Lip	110312-000
12V Fail Safe Large Stainless Steel Faceplate	110321-000
12V Fail Safe Large Stainless Steel Faceplate - Wide Ext Lip (SEC)	110321-030
12V Fail Secure Large Stainless Steel Faceplate - Wide Ext Lip (SEC)	110322-030
24V Fail Safe Large Stainless Steel Faceplate - Wide Ext Lip (SEC)	110323-030
24V Fail Secure Large Stainless Steel Faceplate - Wide Ext Lip (SEC)	110324-030

Specification Statement

The strike should be constructed of solid stainless steel, have a minimum holding force of 850kg and have an endurance rating of 1 million cycles. The one strike must be changeable from fail safe to fail secure on site where required. The strike should not consume current greater than 175mA @ 12Vdc and have a solenoid rated for continuous use. Certifications must include CE and C-Tick.

Accessories

Product Description	Part Number
Mounting Kit	220200-519
25mm Extension Lip	220300-500

ES3000 Monitored Series Electric Strike

General Description

The ES3000 series electric strikes are designed for high security applications and manufactured from solid stainless steel.

These long ANSI strikes offer a strong dependable and long-lasting electric strike solution and are suitable for use with any access control system.

These strikes are extremely flexible and can be changed from fail safe to fail secure and mounted on the left or right hand side of the door, thus reducing the amount of stock needed to cover each application.

Key Features



- Fail safe/fail secure changeable on site
- Available in 12 or 24Vdc
- 850kg holding force
- 1 million cycles endurance rating
- Stainless Steel locking pins
- Continuously rated solenoid
- Optional mounting kit
- Australian designed and made
- **TRICARE** 5 Year Warranty

Applications

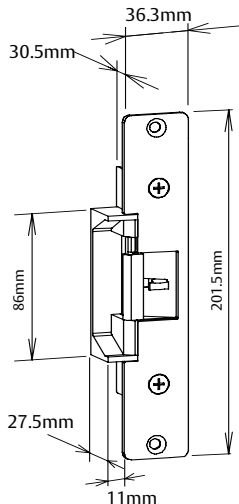
- Timber or metal doors
- Open in/open out doors
- Suitable for use with all access control systems



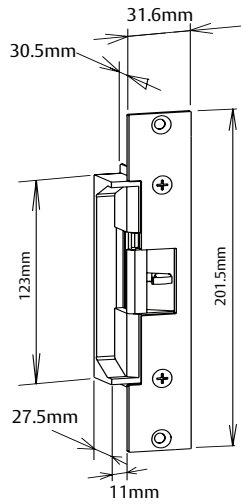
Standards and Compliance

-  Approved to UL1034 (highest level)
-  CE Approved

ES3000 Monitored Series Electric Strike



ES3000 ANSI Extension Lip



ES3000 Harcor Face Plate Wide Extension Lip

ES3000 Technical Information

Voltage	12 or 24Vdc
Current	175 mA @ 12Vdc - 88 mA @ 24Vdc
Solenoid	Solenoids rated for continuous use.
Monitoring	Solenoid Monitor - 1 amp NO/NC microswitch Door / Latch - 1 amp NO/NC microswitch
Holding Force	850kg static strength rating
Endurance	Cycle tested to 1,000,000 operations
Environment	Operational temperature range -20°C to +60°C
Body	Solid Stainless Steel Construction
Keeper	Stainless Steel

Ordering Information

Product Description	Part Number
ES3000 Series - ANSI Extension LIP	
12V Fail Safe Large Stainless Steel Faceplate	113101-000
12V Fail Safe Large Stainless Steel Faceplate - No Ext Lip	113101-010
12V Fail Safe Large Stainless Steel Faceplate - with Extension Lip Holes	113101-030
12V Fail Safe Large Stainless Steel Faceplate - 13mm Ext Lip	113101-040
12V Fail Safe Large Stainless Steel Faceplate	113102-000
24V Fail Safe Large Stainless Steel Faceplate	113103-000
24V Fail Safe Large Stainless Steel Faceplate - No Ext Lip	113103-010
24V Fail Safe Large Stainless Steel Faceplate - 13mm Ext Lip	113103-040
ES3000 Series - Wide Extension LIP	
12V Fail Safe Large Stainless Steel Faceplate Lip	113201-000
12V Fail Safe Large Stainless Steel Faceplate (SEC)	113201-030
12V Fail Secure Large Stainless Steel Faceplate	113202-000
12V Fail Secure Large Stainless Steel Faceplate (SEC)	113202-030
24V Fail Safe Large Stainless Steel Faceplate	113203-000
24V Fail Safe Large Stainless Steel Faceplate (SEC)	113203-030
24V Fail Secure Large Stainless Steel Faceplate	113204-000
24V Fail Secure Large Stainless Steel Faceplate (SEC)	113204-030

Specification Statement

The strike should be constructed of solid stainless steel, have a minimum holding force of 850kg and have an endurance rating of 1 million cycles. Monitoring must include independent door / latch & solenoid monitoring. The one strike must be changeable from fail safe to fail secure on site where required. The strike should not consume current greater than 175mA @ 12Vdc and have a solenoid rated for continuous use. Certifications must include CE and C-Tick.

Accessories

Product Description	Part Number
Mounting Kit	220200-519
25mm Extension Lip	220300-500

ES9000 Series Pre-Load Strike

General Description

The ES9000 has been designed to suit the harshest commercial environments, and has the unique feature of the ability to operate with up to 25kg of pre-load pressure on the keeper. Pre-load is a common condition that caused by pulling on a door before it unlocks, the weight of warped or drooping doors, seals on fire doors, or by differential air pressure created when heating and cooling systems are in use.

Standard features include multi voltage 10 - 30Vdc and field changeable settings from fail safe to fail secure.

Built to last, this is a premium locking solution that has been tested in excess of 2 million cycles and boasts unique features like no other available on the market today.

Key Features

- Operates under pre load up to 25kg
- Easy field selectable fail safe/fail secure
- Multi voltage 10-30Vdc
- 1300kg holding force
- 2.5 million cycles endurance rating
- Latch keeper is significantly quieter in operation
- Weather resistant
- Mounting tabs as standard
- Non handed
- Australian designed and made
- **TRIGARE** 5 Year Warranty

Applications

- High traffic areas
- Doors subjected to side load (pre load)
- Fire rated door sets
- Open in/open out doors
- Suitable for use with all access control systems



Standards and Compliance

S3 (Security) Australian Lock Standard (AS4145.2.1993)

D3 (Durability) Australian Lock Standard (AS4145.2.1993)

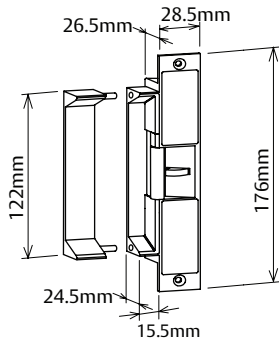


Successfully fire rated up to 4hrs on fire door assemblies in accordance with AS1905.1. 2005 (Part 1: Fire resistant door sets)

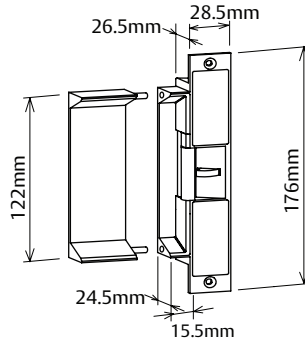


CE Approved

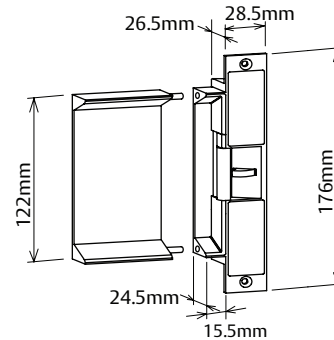
ES9000 Series Pre-Load Strike



ES9000 with 25mm Extension Lip



ES9000 with 50mm Extension Lip



ES9000 with 75mm Extension Lip

ES9000 Pre-Load Strike Technical Information

Voltage	10 – 30Vdc
Current	250mA @12Vdc – 130mA @24Vdc
Solenoids	Solenoid rated for continuous use.
Electrical protection	Polarity and back EMF protected
Monitoring	Solenoid Monitor - 1 amp NO/NC microswitch Door / Latch - 1 amp NO/NC microswitch
Holding Force	1300kg static strength rating
Endurance	1,200,000 cycles endurance rating @ 25kg pre-load 2,500,000 cycles general durability without pre-load conditions
Latching	Suitable for 15mm latch with 3mm door gap
Environment	Operational temperature range -20°C to +60°C
Body	Solid Stainless Steel Construction
Keeper	Stainless Steel

Ordering Information

Product Description	Part Number
ES9000 Pre - Load Multi Function Strike	119001-000
ES9000 Pre - Load Multi Function Strike - No Extension Lip	119001-010
ES9000 Pre - Load Multi Function Strike - 8mm Extension Lip	119001-020
ES9000 Pre - Load Multi Function Strike - with Extension Lip Holes	119001-060

Note: All ES9000 series electric strikes are supplied in Fail Safe configuration.

Specification Statement

The electric strike should be fully monitored and have independent door / latch and solenoid monitor switches. Holding force for the strike should be not less than 1300kg.

Where Power to Lock and Power to Open functions may be required in the same building, a single electric strike should be interchangeable from either fail safe or fail secure from the rear of the strike.

The electric strike should not consume current greater than 250mA @ 12Vdc and have a solenoid rated for continuous use. A fire rating not less than 4 hours is required where applicable. The strike must be capable of operating with up to 25kg of pre-load pressure applied to the keeper, be tested to 2.5 million operations and carry a minimum warranty of 5 years.



Electromechanical Bolts

TB25 Drop Bolt	28
TB25KO Drop Bolt	30
TB38 Drop Bolt	32
ES6000 Hook Lock	34
ES8000 V-Lock	36



TB25 Drop Bolt

General Description

The TB25 range of drop bolts represent true engineering innovation, design excellence and the superior quality customers have come to expect and demand from Trimec®. Designed for use on swing-through, double action doors, these drop bolts are ideal for applications where an electric strike is impractical.

Key Features

- High Security. Bolt is deadlocked in the extended position
- Bolt position monitored
- Door position monitor with integrated magnet into the strike plate (no need to install a separate reed switch)
- Multiple Orientation, drop bolts will work horizontally or vertically
- Power to Lock/ Power to Open
- Continuously Rated Solenoid
- Tamper Proof. Lock cannot be defeated by slipping a metal object between lock and striker plate
- Intelligent Electronics. These intelligent bolts will attempt to re-close the bolt 8 times, allowing time for swing through doors to settle in the closed position
- Thermal Protection. In the event of solenoid overheat, a thermal fuse will operate, eliminating any fire risk

Applications

- Glass doors
- Timer Doors



Standards and Compliance

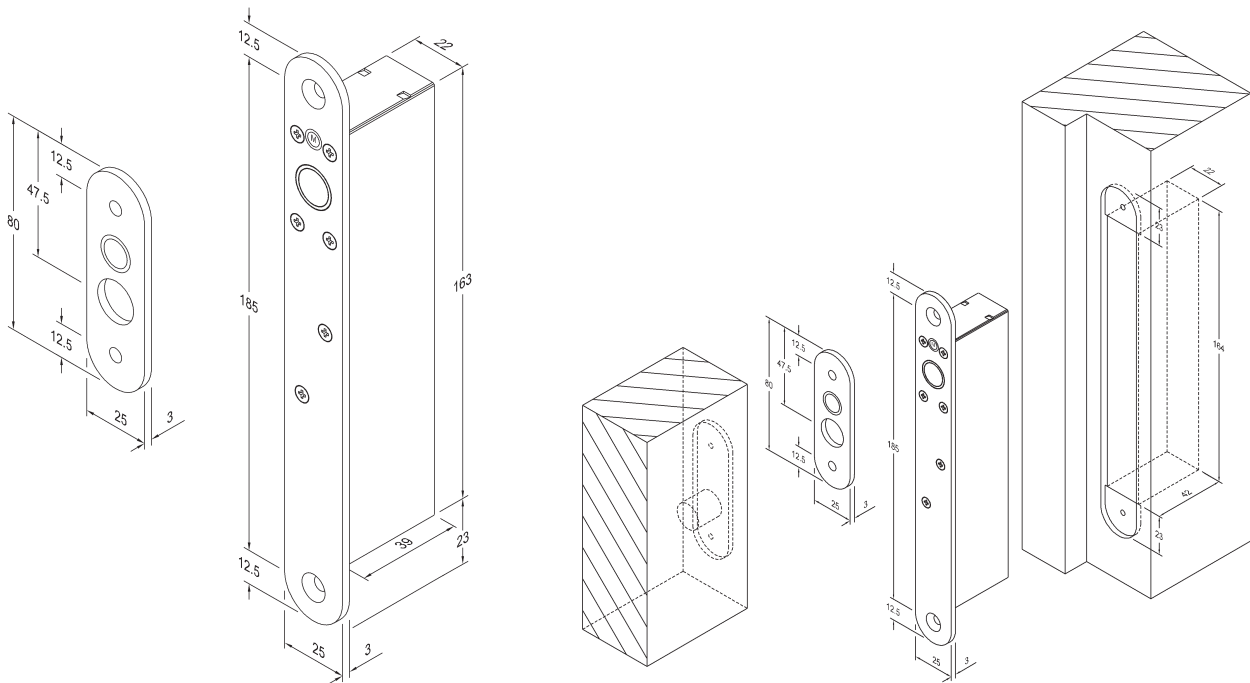


British Standard BSEN 50081-1
BSEN 50082-1



CE Approved

TB25 Drop Bolt



TB25 Drop Bolt Technical Information

Voltage	12 or 24Vdc
Current (Start)	1100mA @ 12V, 1000mA @ 24V
Current (Holding)	210mA @ 12V, 90mA @ 24V
Holding Force	1000kg
Locking Mode	PTL & PTO
Dimensions (Mortice)	164 x 22mm
Bolt Length	12.7 x 16mm
Faceplate Size	10 x 25mm
Monitoring Contacts	Bolt & Door

Ordering Information

Product Description	Part Number
TB25 12-24VDC Fail Safe - Dropbolt	118251-000
TB25 12-24VDC Fail Secure - 25mm F/P	118252-000
TB25 12-24VDC Fail Safe	188251-010
TB25 12-24VDC Fail Safe - Square Corners	188251-020
TB25 12-24VDC Fail Secure	188251-010
TB25 12-24VDC Fail Safe	188252-010
TB25 12-24VDC Fail Safe - Square Corners	188252-020

Specification Statement

The bolt must be able to operate in horizontal and vertical orientations. The position of the bolt must be monitored as well as have an integrated reed switch for door position monitoring. The electronic functions must include: 8 x lock and unlock attempts, 8 second unlock delay, automatic relock after 8 seconds, power reduction circuitry to limit the holding current, and a one time thermal fuse cut-out in case of solenoid overheating. Locking function can be converted from Power to Lock (PTL) to Power to Open (PTO). The faceplate and strike plate must be finished in stainless steel.

TB25KO Drop Bolt

General Description

The TB25KO range of drop bolts represent true engineering innovation, design excellence and the superior quality customers have come to expect and demand from Trimec®. Designed for use on swing-through, double action doors, these drop bolts are ideal for applications where an electric strike is impractical. The TB25KO offer a unique mechanical override with in integrated euro profile cylinder.

Key Features

- High Security. Bolt is deadlocked in the extended position
- Mechanical key override in the event of power failure. (Euro Profile Cylinder)
- Bolt position monitored
- Door position monitor with integrated magnet into the strike plate (no need to install a separate reed switch)
- Multiple Orientation, drop bolts will work horizontally or vertically
- Power to Lock/ Power to Open
- Continuously Rated Solenoid
- Tamper Proof. Lock cannot be defeated by slipping a metal object between lock and striker plate
- Intelligent Electronics. These intelligent bolts will attempt to re-close the bolt 8 times, allowing time for swing through doors to settle in the closed position
- Thermal Protection. In the event of solenoid overheat, a thermal fuse will operate, eliminating any fire risk

Applications

- Glass doors
- Timer Doors



Standards and Compliance

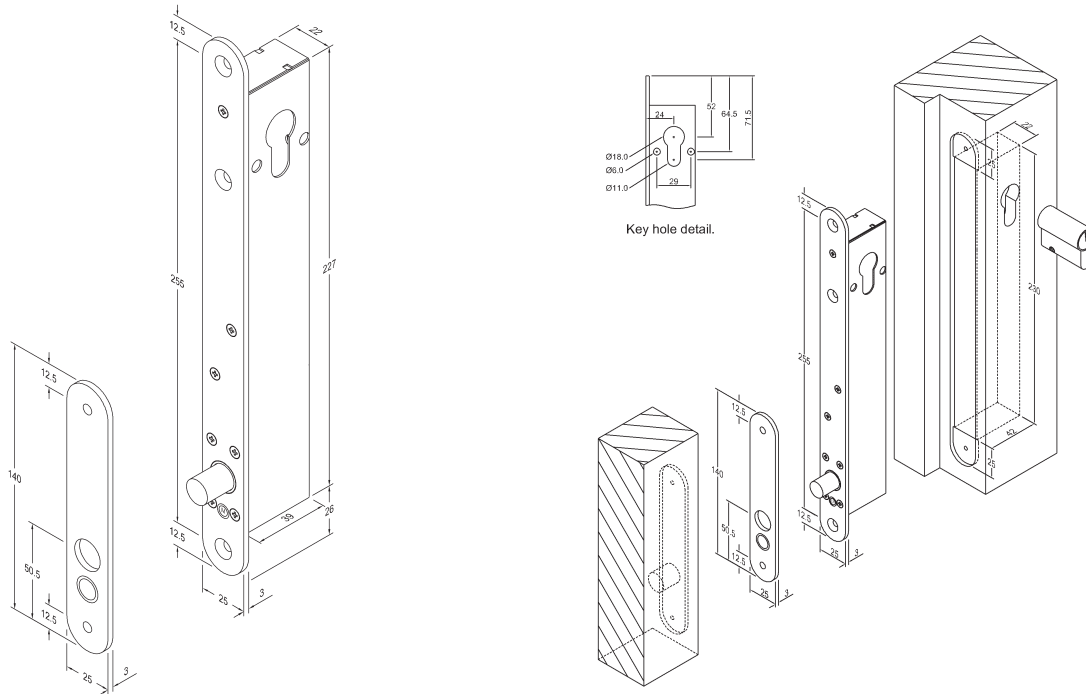


British Standard BSEN 50081-1
BSEN 50082-1



CE Approved

TB25KO Drop Bolt



TB25KO Drop Bolt Technical Information

Voltage	12 or 24Vdc
Current (Start)	1100mA @ 12V, 1000mA @ 24V
Current (Holding)	210mA @ 12V, 90mA @ 24V
Holding Force	1000kg
Locking Mode	PTL & PTO
Dimensions (Mortice)	164 x 22mm
Bolt Length	12.7 x 16mm
Faceplate Size	10 x 25mm
Monitoring Contacts	Bolt & Door

Ordering Information

Product Description	Part Number
TB25KO 12-24VDC Fail Safe 25mm F/P	118251-500
TB25KO 12-24VDC Fail Secure 25mm	118252-500
TB25KO 12-24VDC Fail Safe	188251-510
TB25KO 12-24VDC Fail Secure	188252-510

Specification Statement

The bolt must be able to operate in horizontal and vertical orientations. The position of the bolt must be monitored as well as have an integrated reed switch for door position monitoring. The electronic functions must include: 8 x lock and unlock attempts, 8 second unlock delay, automatic relock after 8 seconds, power reduction circuitry to limit the holding current, and a one time thermal fuse cut-out in case of solenoid overheating. Locking function can be converted from Power to Lock (PTL) to Power to Open (PTO). The faceplate and strike plate must be finished in stainless steel. In the event of a power failure the lock must be mechanically overridden by means of a cylinder.

TB38 Drop Bolt

General Description

The TB38 range of drop bolts represent true engineering innovation, design excellence and the superior quality customers have come to expect and demand from Trimec®. Designed for use on swing-through, double action doors, these drop bolts are ideal for applications where an electric strike is impractical.

Key Features

- High Security. Bolt is deadlocked in the extended position
- Bolt position monitored
- Door position monitor with integrated magnet into the strike plate (no need to install a separate reed switch)
- Multiple Orientation, drop bolts will work horizontally or vertically
- Power to Lock/ Power to Open
- Continuously Rated Solenoid
- Tamper Proof. Lock cannot be defeated by slipping a metal object between lock and striker plate
- Intelligent Electronics. These intelligent bolts will attempt to re-close the bolt 8 times, allowing time for swing through doors to settle in the closed position
- Thermal Protection. In the event of solenoid overheat, a thermal fuse will operate, eliminating any fire risk

Applications

- Glass doors
- Timer Doors



Standards and Compliance

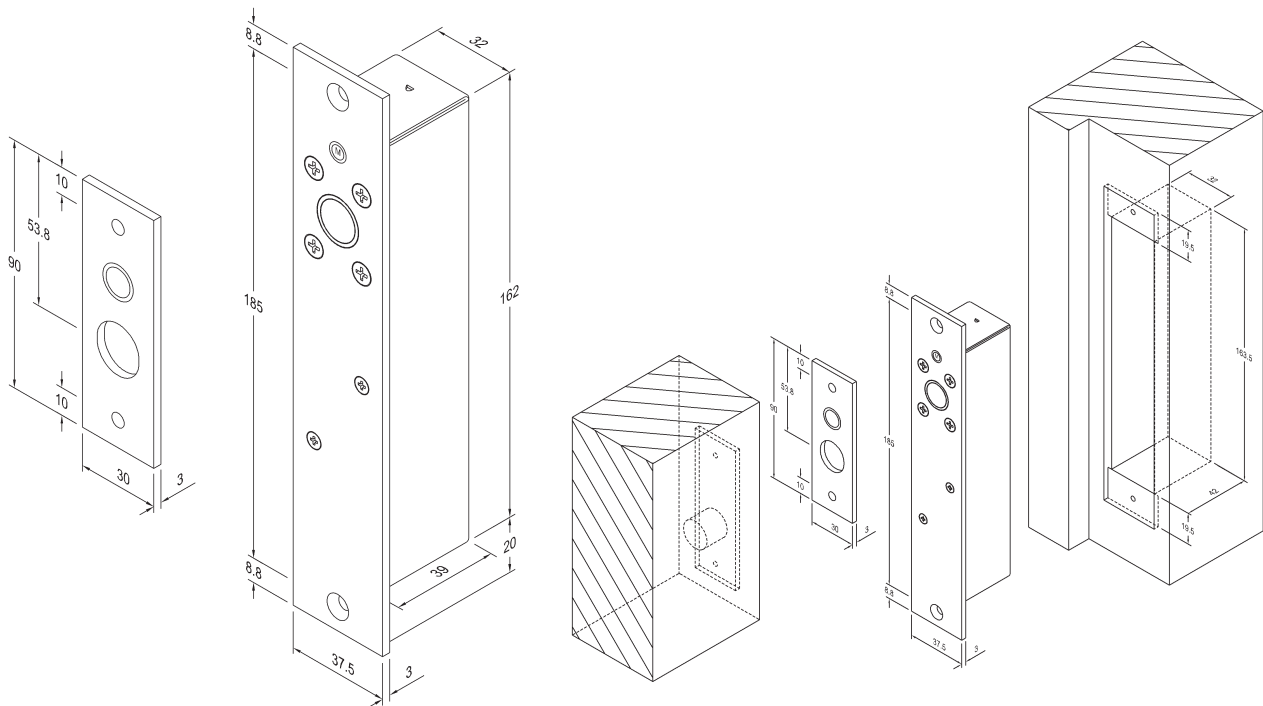


British Standard BSEN 50081-1
BSEN 50082-1



CE Approved

TB38 Drop Bolt



TB38 Drop Bolt Technical Information

Voltage	12 to 24V
Current (Start)	1400mA @ 12V, 1100mA @ 24V
Current (Holding)	260mA @ 12V, 105mA @ 24V
Holding Force	2000kg
Locking Mode	PTL & PTO
Dimensions (Mortice)	164 x 33mm
Bolt Length	14.3 x 14mm
Faceplate Size	202 x 38mm
Monitoring Contacts	Bolt & Door

Specification Statement

The bolt must be able to operate in horizontal and vertical orientations. The position of the bolt must be monitored as well as have an integrated reed switch for door position monitoring. The electronic functions must include: 8 x lock and unlock attempts, 8 second unlock delay, automatic relock after 8 seconds, power reduction circuitry to limit the holding current, and a one time thermal fuse cut-out in case of solenoid overheating. Locking function can be converted from Power to Lock (PTL) to Power to Open (PTO). The faceplate and strike plate must be finished in stainless steel.

Ordering Information

Product Description	Part Number
TB38 12-24VDC Fail Safe	188381-010

ES6000 Hook Lock

General Description

ES6000 Hook Lock is suitable for swinging doors, sliding doors and is easily attached to wood or steel door frames. ES6000 is heavy duty designed with its high preload (side load) capability of up to 300 kg, high holding force of up to 700 kg and up to 4 hour fire rating. Both Power to Open and Power to Lock models are available.

The ES6000 is available in both recess and surface mounted versions.

The ES6000 recess mounted version is completed with elegant satin stainless steel faceplate. The surface mounted version is completed with a cast aluminium cover that can be supplied in a variety of colours to match existing door frames.

ES6000 can be mounted vertically and horizontally, with self-latching ability without power for fire applications.

Key Features

- Power to Open or Power to Lock versions available
- Side Load (Pre-Load) Capable: Operates freely with up to 300 kg of side pressure
- Self Latching: Will self latch without power for fire applications
- 680kg holding force
- Robust Construction: Stainless steel components used
- Low Profile: Will protrude only 40mm into door headroom
- Multi Voltage: Automatic selection 12 to 30Vdc with back EMF protection and reverse polarity protection
- Multi Orientation: Can be mounted vertically or horizontally
- Low Current Consumption
 - 12VDC- 250mA after 1 sec. (initial current 830mA)
 - 24VDC- 140mA after 1 sec.(initial current 530mA)
- Monitored: locked and unlocked
- Tested to the 300kg preload capability



Applications

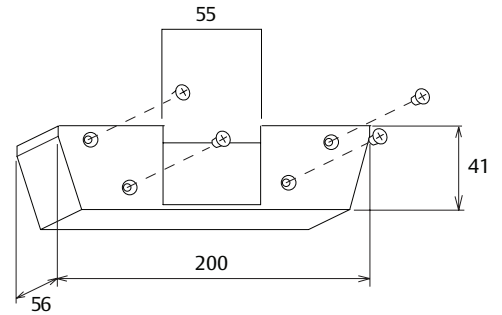
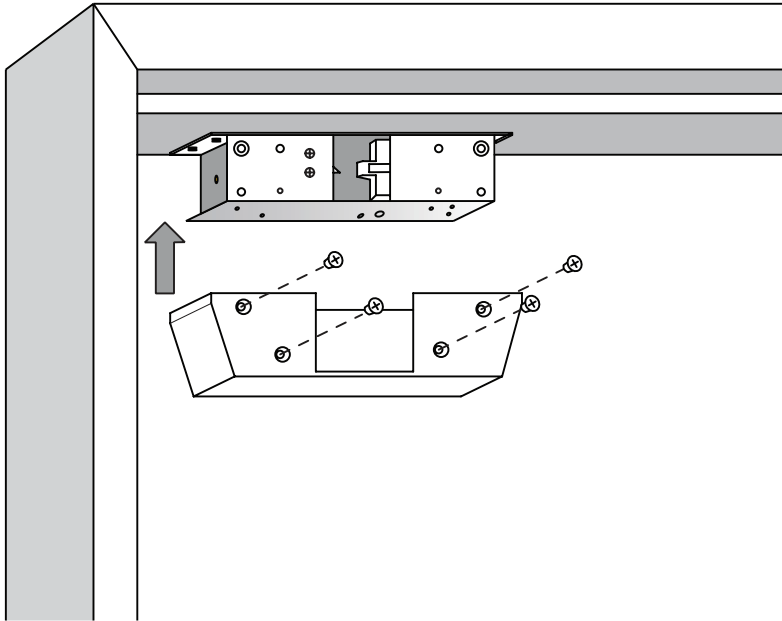
- Heavy Duty Applications
- Sliding & Swing door applications
- High Air Pressure Environments (High Pre Load rating)

Standards and Compliance



Successfully fire rated up to 2hrs on fire door assemblies in accordance with AS1905.1. 2005 (Part 1: Fire resistant door sets)

ES6000 Hook Lock



ES6000 Hook Lock Technical Information

Voltage	Supply Voltage 12-30Vdc Ground (OV)
Current	12Vdc – 250 mA after 1 sec. (initial current 830 mA) 24Vdc – 140 mA after 1 sec. (initial current 530 mA)
Monitoring	Door locked (Solenoid) – Door Closed (Latch)
Strength	1500 lbs. (680kg) static strength rating 70 foot-lbs. dynamic strength rating
Endurance	250,000 cycles endurance testing Internal Testing achieved: 2,000,000 cycles of operation
Pre-Load	660lbs (300kg) pre-load capability
Environment	Operational temperature range: -20°C to +60°C
Lock Body	Cast Aluminium Construction
Lock Body	Solid Stainless Steel Construction
Lock Bolt	Solid Stainless Steel

Specification Statement

This lock must be able to operate with up to 300kg of preload pressure, with a holding force of 700kg. The lock must be multi voltage selection 12 - 30 Volts with back EMF protection for reverse polarity. Lock can be mounted both horizontally or vertically. The lock need to be subjected to vigorous testing and a minimum of 2,000,000 cycles need to be achieved.

Ordering Information

Product Description	Part Number
ES6001SIL Surface, Hook Lock Monitored, 12 - 24V Fail Safe Silver Cover	116001-010
ES6002SIL Surface, Hook Lock Monitored, 12 - 24V Fail Secure Silver Cover	116002-010
Accessories	
ES6000 Roller Strike Assembly	220600-503

ES8000 V-Lock

General Description

The ES8000, also known as the V-lock is a high torque motorised bolt that moves from the vertical position to the horizontal state when locked. The bolt moves into the V shaped strike plate pulling the door aligned with the lock. The high torque motorised bolt can be concealed from view or surface mounted and has the worlds first fail-open motor locking mechanism which eliminates the need and cost of an additional key override function. Slim design with classic satin stainless steel faceplate, and significant 7mm overall (+/- 3.5mm) door misalignment tolerance make ES8000 a product with great aesthetic appearance as well as easy installation.

Key Features

- SIDE LOAD - PRE LOAD Capable Lock will unlock with up to 15kg of side pressure, when wired in 3 wire mode. (1 x Permanent Power, (positive 12-24Vdc) wire. Negative (0 volt return) wire, and 1 x Switching input (positive 12-24Vdc) wire
- Door misalignment of up to 3.5mm +/-
- Power to Lock (Fail Safe) / Power to Open (Fail Secure) field configurable
- HIGH TORQUE Motorised locking and unlocking (3 wire mode)
- High Speed Operation. Unlocks in less than 1 second
- Surface Mount Accessory Kit. Ideal for 180° swing through glass door applications
- Multiple Orientation – Interior Doors Can be mounted vertically or horizontally (For exterior doors ES8000 must be mounted horizontally)

Applications

- Misaligned doors
- Timer Doors
- Glass Doors



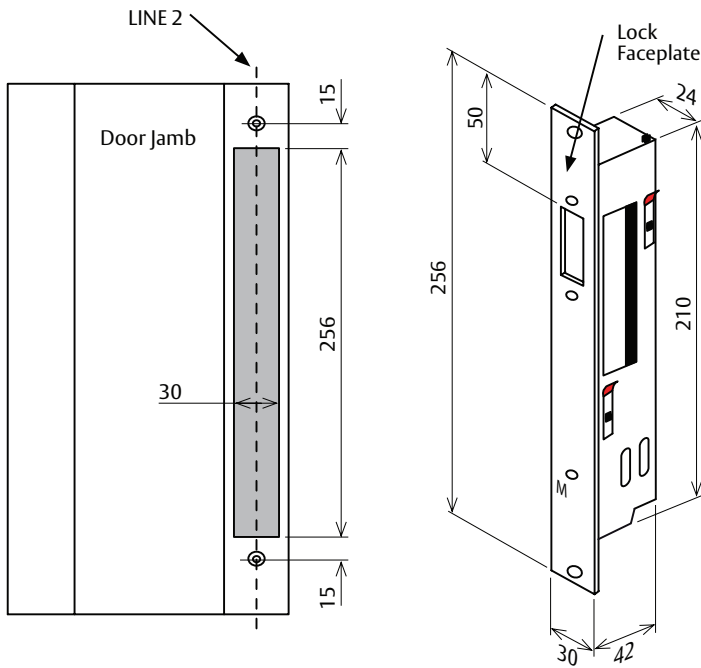
Standards and Compliance

SCEC Endorsed (Intruder Resistant Bracket Required)

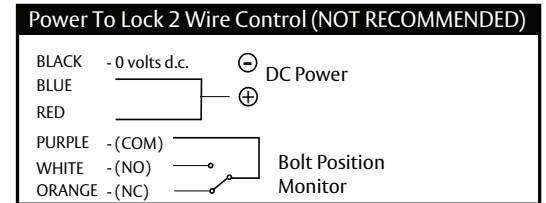
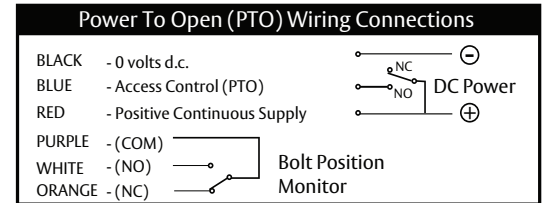
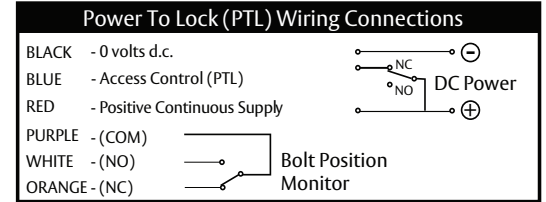


Successfully fire rated up to 4hrs on fire door assemblies in accordance with AS1905.1. 2005 (Part 1: Fire resistant door sets)

ES8000 V-Lock



Wiring below shows lock in locked position



ES8000 V-Lock Technical Information

Voltage	12 to 24Vdc, Voltage Tolerance 12V (+15% - 0%) 24V(+/- 15%)
Current	Minimum 1 Amp Regulated Supply
Monitoring	COM, NO, NC Voltage free changeover contacts rated at 48 dc/100mA)
Security	Passed S3 (AS4145.2- 1993)
Strength	Maximum 1000kg (with supported strike plate)
Side Load	Side Load rated: Motorised Unlocking – 15kg max at bolt Fail Safe Unlocking – 3kg max at bolt
Endurance	300,000 operations
Environment	Operational temperature range -20°C to + 60°C
Lock Body	Stainless Steel Lock Body and Faceplate
Bolt	11mm diameter, 20,5mm projection

Specification Statement

The lock must be a high torque motorised bolt with Preload tolerance. The strike plate must be shaped in a V format to accommodate for misaligned doors. Lock will unlock with up to 15kg of side pressure and will be powered with 12-24v and draw no more than 1000mA. The lock must be configurable for Power to Lock (Fail Safe) or Power to Open (Fail Secure). The lock must be triggered with a magnet positioned in strike plate, and be monitored for locked unlocked and door position.

Ordering Information

Product Description	Part Number
ES8001 V-Lock 12vdc Fail Safe 30mm F/P	118001-010
ES8002 V-Lock 12vdc Fail Secure 30mm F/P	118002-010
Accessories	
ES8000 V-Lock Glass door housing (Incl dress plate & fixing tape)	218000-000

All TRICARE® protected products come with a 5 year return to factory warranty from date of manufacture. The date of manufacture can be determined by looking at the TRICARE® sticker which indicates the month and year of manufacture.

TRICARE® protects the installer by warranting accidental damage that may occur to TRICARE® protected product during installation. This no question asked approach removes frustration and embarrassment.

Any warranty claims on TRICARE® will be replaced with NEW product. This ensures that the wholesalers will always have new stock on their shelves and not repaired stock.

“Protects the Customer, the Installer and the Wholesaler”



ASSA ABLOY is the global leader in door opening solutions, dedicated to satisfying end-user needs for security, safety and convenience.

ASSA ABLOY is represented in all major regions, in both mature and emerging markets, with leading positions in Australia, Europe and North America.

As the world's leading lock group, ASSA ABLOY offers a more complete product range of door opening solutions than any other company on the market.

Trimec®
The Meadows
Cannock Road
Wolverhampton WV10 ORR
United Kingdom

e: info@trimec-online.co.uk
w: www.trimec.com.au

